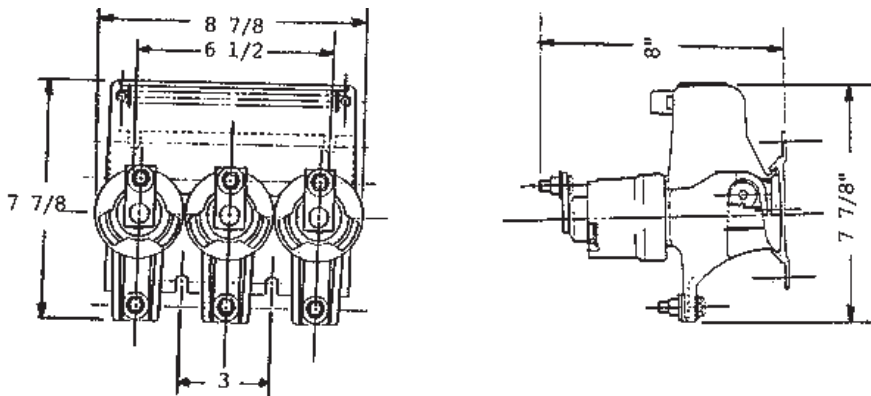
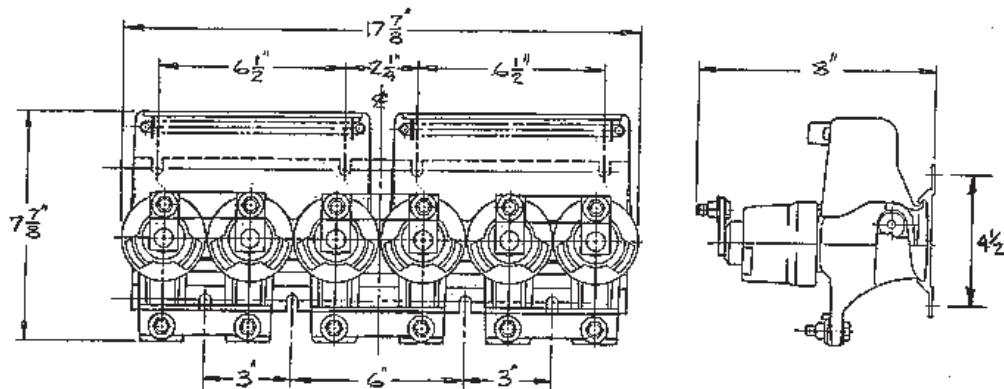


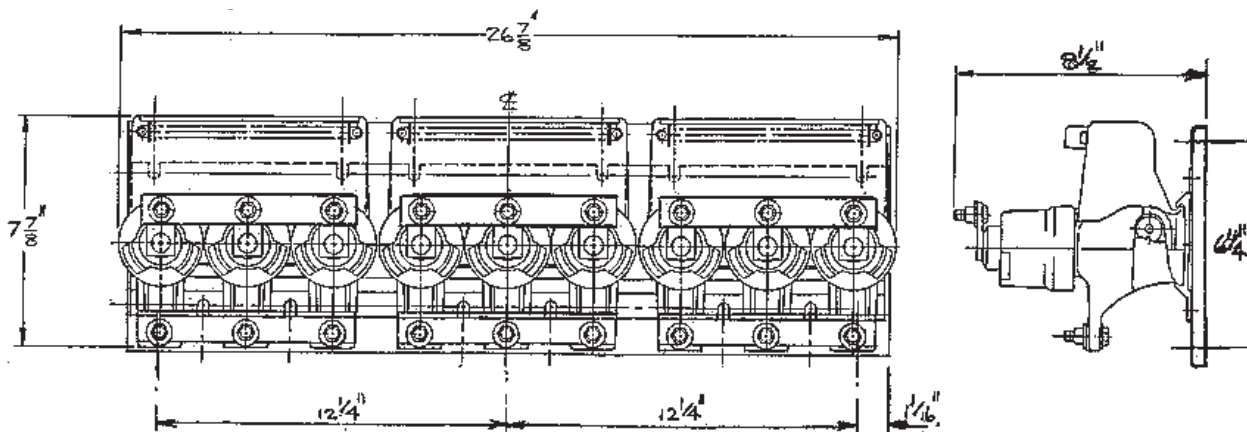
A



160-320A 2-3 Pole 1.5 KV (As Shown)
 450A Single Phase 1 Pole (Center Pole Removed)
 1000A Single Phase 1 Pole (All 3 Paralleled)



450A Single Phase 12 Pole (Center Pole Removed)
 600A Three Phase 1.5KV (As Shown)
 1000A Single Phase 2 Pole (2X3 Pole Paralleled)
 1500A Single Phase 1 Pole (All 6 Paralleled)



1000A Three Phase 1.5 KV (As Shown)
 1500A Single Phase 2 Pole (Center Pole Removed) 2 X 4 Pole Paralleled
 2500A Single Phase 1 Pole (All 9 Paralleled)